

Specification

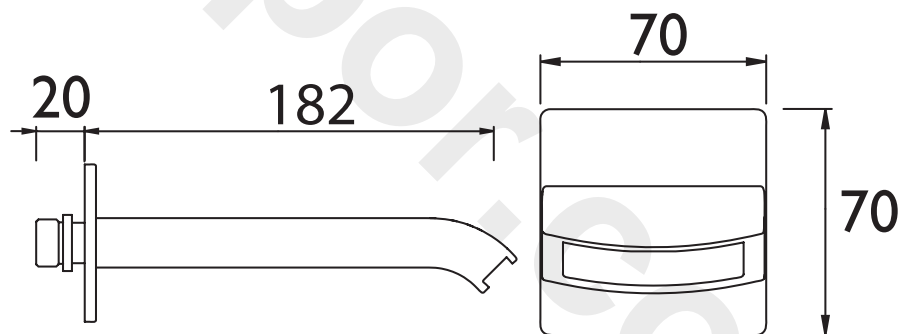
Style:	Contemporary
Product Type:	Bath spout
Main Construction Material:	Brass
Mount Type:	Wall
Handle Type:	N/A
Connection Inlet:	1/2" BSP Threaded Tail
Connection Outlet:	N/A
Number of Tap Holes:	1
Valve/Cartridge Type:	N/A
Plumbing System Requirements:	All
Working Pressure Range:	Min. 0.2, Max. 5.0 bar
Maximum Hot Water Temperature: °C	60
Maximum Dynamic Pressure: (bar)	5
Maximum Static Pressure: (bar)	10
Flow Type:	Single
Flow Rate: (l/min @ 3 bar)	53.3
Isolation Included:	N

Features:

- 1 taphole
- Brass construction

Product Certifications:

Dimensions (measurements in mm)



For more products, visit our website:
<http://www.bristan.com>



Flow Rates (l/min)

System Pressure (bar)	0.2	0.5	1	2	3	5
DSC BS C	12.6	21.7	30.8	44.6	53.3	68.8

TECHNICAL DATA SHEET



BRISTAN

TAPS & SHOWERS

D2